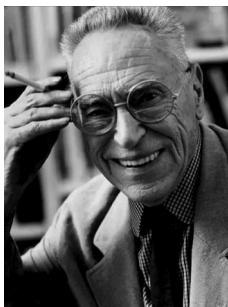




Comodo

Design Achille Castiglioni

Year 1988



Achille Castiglioni

Renowned Italian designer Achille Castiglioni (1918-2002) had a passion for re-designing, re-inventing and re-conceptualizing. Traditional interior design objects would pass through his Milan-based studio and end up perfected. He always aimed at enhancing and glorifying the value of the design. Throughout his career he worked to raise design to an ever-higher level of synthesis - stripping design down to the very core and eliminating everything superfluous. During his career Achille Castiglioni collaborated with many designers, among them Giancarlo Poggi. Together they made Trio and Comodo in 1991.



Poised on a slim metal stem, Comodo's wood cabinet is set off-centre with a lidded compartment. Castiglioni and Pozzi's elegant multi-purpose unit can be used as a bedside table, a tray, a coffee table or simply as a storage box for all your favourites. Supposedly Castiglioni, being a big fan of sweets, used his own Comodo to store candy.

PRODUCT DATA

Design	Achille Castiglioni and Giancarlo Pozzi. 1988
Product type	Versatile storage unit
Environment	Indoor
Materials	Cabinet in solid and veneered oak with clear or black lacquer, frame in steel with black powder coating
Finish	Clear or black lacquer

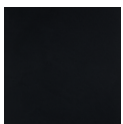
ARTICLE CODES

201466	Comodo, black lacquered
201467	Comodo, clear lacquered

DELIVERY

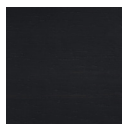
Lead time	Stock (if backorder: 10 to 12 weeks)
-----------	--------------------------------------

Frame

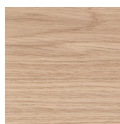


06 Black (Smooth)

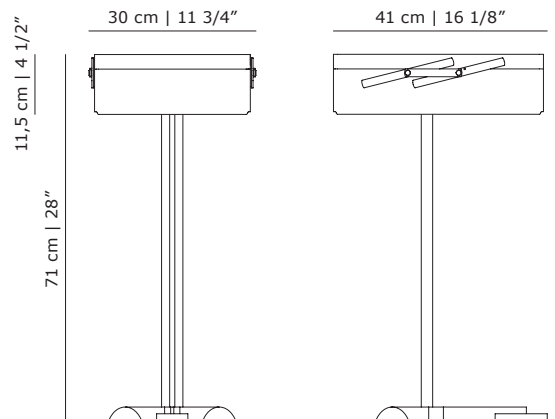
Cabinet finishes



Black stained Black lacquered



Natural oak Clear lacquered





Founded on rebellious curiosity and a passion for the unique, Karakter is a bit out of the ordinary. Rooted in the proud Danish design tradition, but always maintaining an international outlook, Karakter presents a striking portfolio of furniture, lighting and objects from designers who have already written the history of design to those who are aspiring to write the future. All designers collaborating with Karakter are curated for their ideas and creativity and shared by all of them is an inspiring level of curiosity and an uncompromising take on their work. Boasting both the relevant and honest, the beautiful, the playful and the expressive, all designs have a clear, undeniable character. Ready to spark curiosity and start conversations.

Head Office

Karakter
Gammel Lundtoftevej 1C
2800 Kongens Lyngby
Denmark

T +45 38 41 41 31
@karaktercopenhagen
info@karakter-copenhagen.com

Showroom - Paris

Karakter
242 Bis bd st Germain
75007 Paris
France

T +33 01 43 25 48 05
karakterparis@cassina.com

Karakter Corner - Milan

Cassina Showroom
Via Durini, 16
20122 Milano
Italy

T +39 02 76 02 07 45

