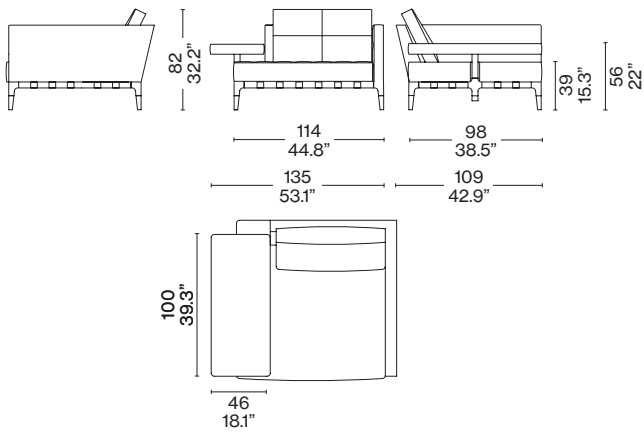
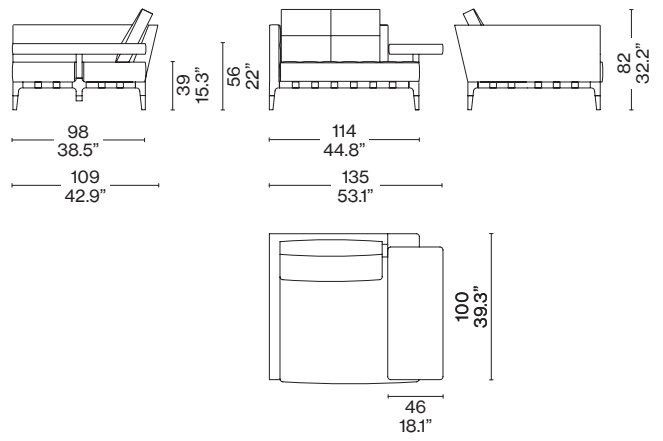


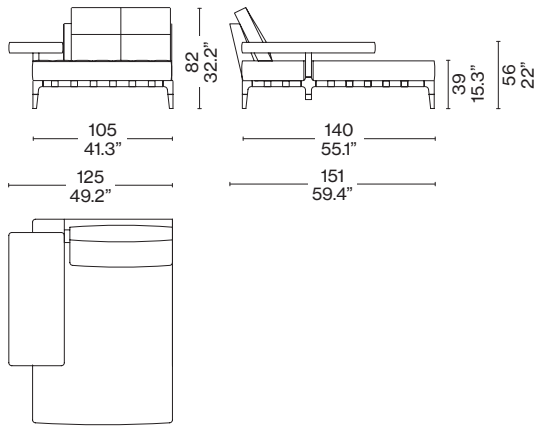
241 11/13 sx



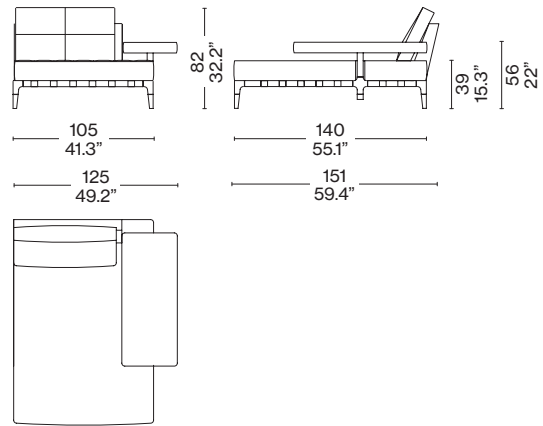
241 12/14 dx



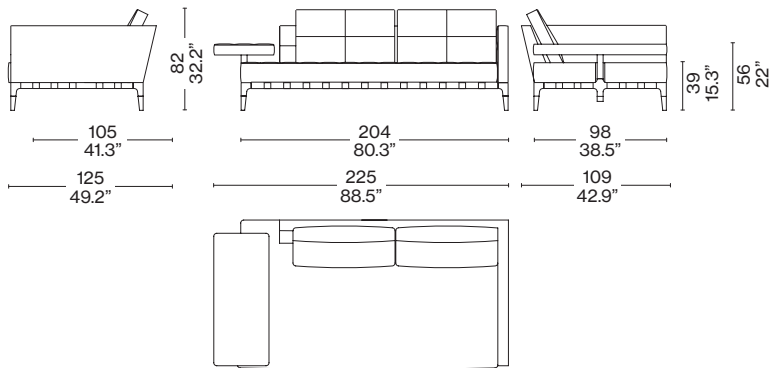
241 22/24 sx



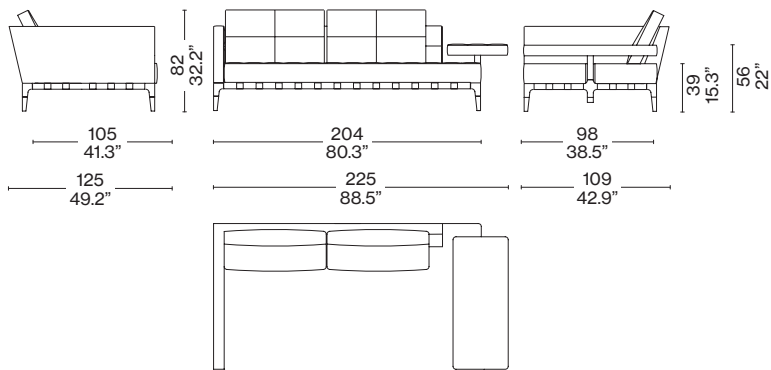
241 21/23 dx



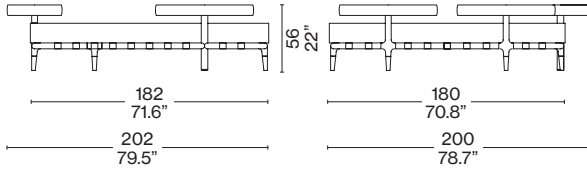
241 31/33 sx



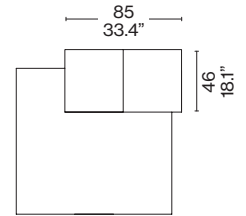
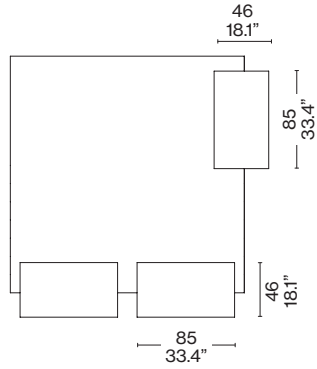
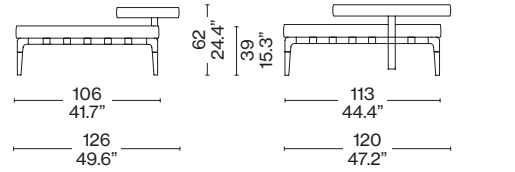
241 32/34 sx



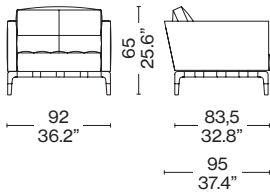
241 41/42



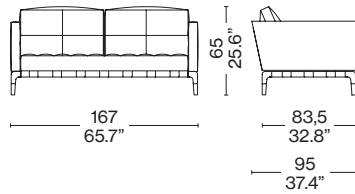
241 51/52



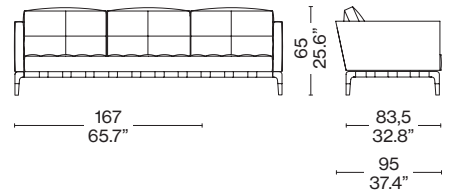
241 61



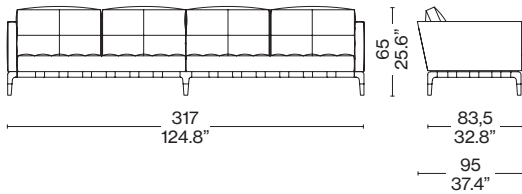
241 62



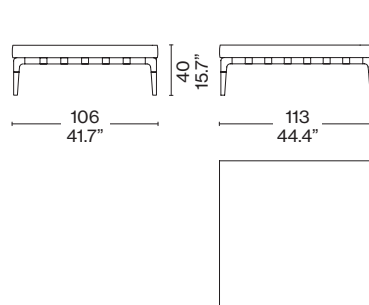
241 63



241 64



241 00



241 90

