

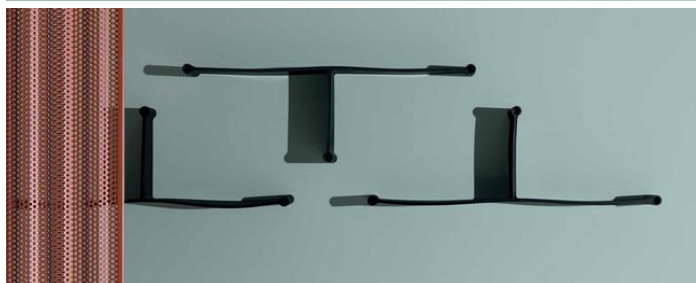
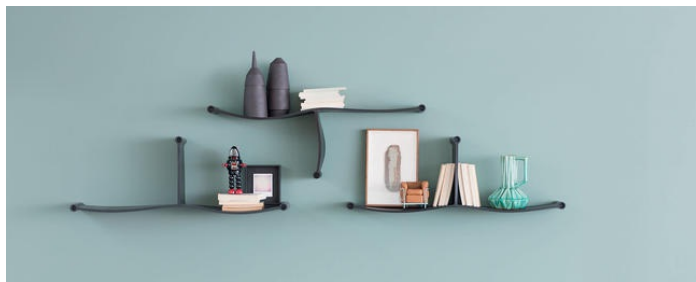
Cassina

086 BALENO

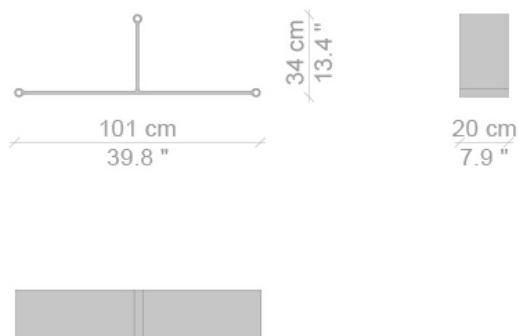
Year of production 2017

Flexible, versatile and eye-catchingly original, Baleno, by French designers Ronan and Erwan Bouroullec, is both creative and functional. Two shelves meet a vertical support half-way. Constructed in thermoplastic material, the shelves flex under the weight of the books or ornaments that are placed on them. The visual impact of these shelves increases the more of them are used, conjuring an innovative decorative effect.

Gallery



Dimensions



Designer



Ronan & Erwan Bouroullec

Ronan Bouroullec (born 1971) and Erwan Bouroullec (born 1976) have been working together for about twenty years now. Their collaboration is a permanent dialogue nourished by their distinct personalities and a shared notion of diligence with the intention to reach more balance and fineness. Their work has covered many fields ranging from the design of small objects as jewellery to spatial arrangements and architecture, from craftsmanship to industrial scale, from drawings to videos and photography. They have collaborated with leading design companies such as Vitra, Cassina, Artek, Danskina, Magis, Alessi, Galerie kreò, Established & Sons, Axor Hansgrohe, Flos, Kvadrat, Glas Italia, Kartell, Kettal, Iittala, Cappellini, Ligne Roset, Nani Marquina, Mattiazzi, Mutina, Samsung and Hay. Designs of Ronan & Erwan Bouroullec are part of select international museums' permanent collections and several exhibitions have been devoted to their work including the Design Museum, London, the Museum of Contemporary Art, Los Angeles, the Centre Pompidou Metz, the Museum of Contemporary Art, Chicago, the Musée des Arts Décoratifs in Paris, the Vitra Design Museum or the FRAC Bretagne. The Bouroullec studio is located in Paris, and the whole team numbers around eight people. To discover more about Ronan & Erwan Bouroullec's work, please visit www.bouroullec.com