

Cassina

K06 AKI BIKI CANTA

Catalogue I Contemporanei

Year of production 2000

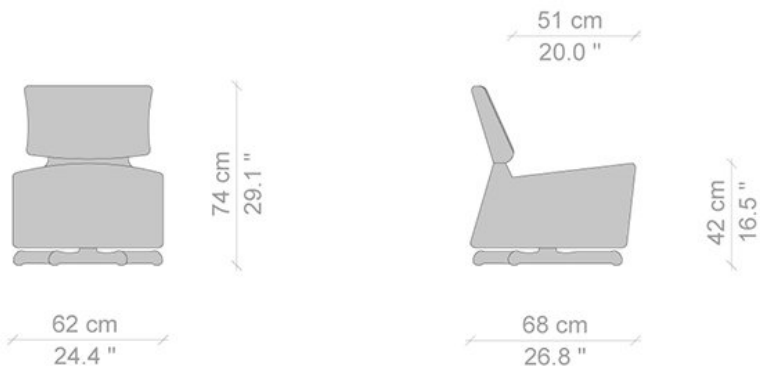
Swivel armchairs on fixed steel base and moulded black polyurethane or aluminium casting; available also on black castors. The armchair is composed of: backrest (aki); backrest with armrests (biki); backrest with armrests: one of these having variable shape can be used as headrest (canta). Steel frame, padding in CFC-free polyurethane foam and polyester wadding. Removable fabric or leather covers.

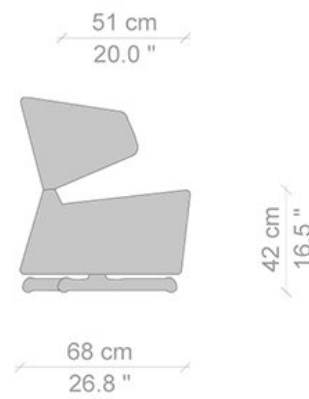
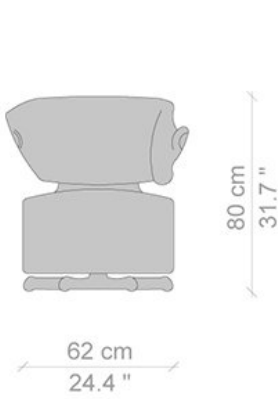
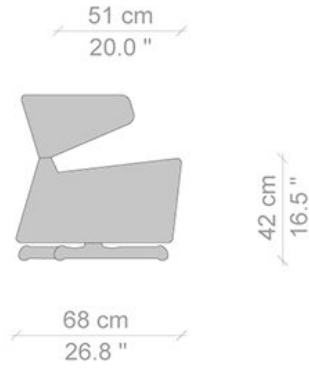
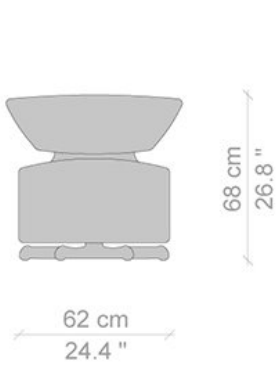
Gallery

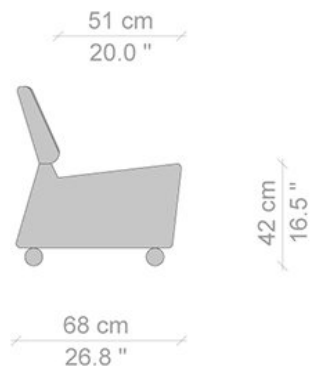
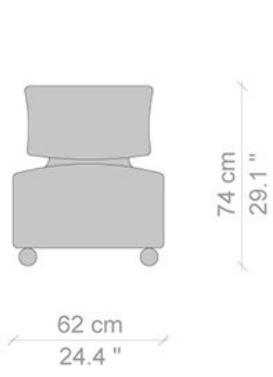


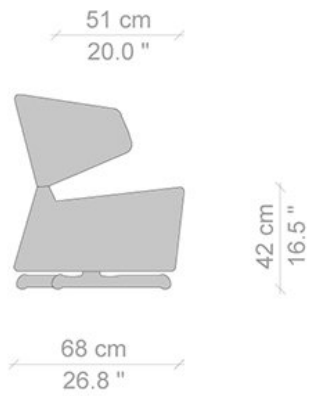
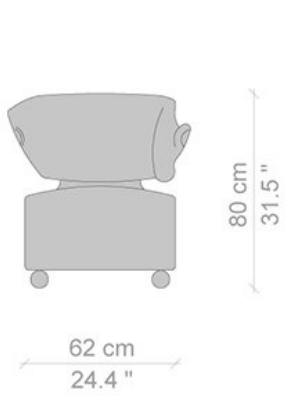


Dimensions









Designer



Toshiyuki Kita

- 1942 Born in Osaka, Japan.
- 1964 Graduated in Industrial Design from Naniwa College, Osaka.
- 1969 Extend his creative field from Japan to Italy.
- 1975 Won the Japan Interior Designers Association Award.
- 1981 Won the Kitaro Kunii Industrial Design Award. "WINK" (chair) -- selected for the permanent collections of the Museum of Modern Art, New York.
- 1983 The KICK table, Best of Category in Residential Furnishing (table) by industrial Design Magazine of New York. Won the Product Design Award from the Institute of Business Designers and Contract Magazine in the United States. Lecture at DOMUS ACADEMY in Italy.
- 1984 "KICK" (table) --selected for the permanent collections of the Museum of Modern Art, New York. "WINK" (chair), "KICK" (table) --selected for the permanent collections of the Museum für Kunst und Gewerbe in Hamburg, Germany.
- 1985 Lectured at University of Washington(Seattle) in United States. Lectured at "Italian and American Symposium" in Los Angeles.
- 1987 "WINK" (chair), "KICK" (table) --selected for the permanent collections of the Museum für Kunst und Gewerbe in Hamburg, Germany. Participated in the celebrations at the Centre Georges Pompidou's 10th Anniversary. Exhibited "CEREMONIAL SPACE".
- 1988 Exhibition in Barcelona and Vienna.
- 1990 Exhibition in Milan. Won the Delta de Oro Award, Spain.
- 1991 Exhibition at Hiroshima City Museum of Contemporary Art in Japan.
- 1992 Designed the chairs and interior for the rotating theatre at the Japanese Pavilion in Seville '92. Member of the Jury for DELTA ADI FAD, Spain. Exhibition in Helsinki, Finland.
- 1993 Guest professor at University of Applied Arts Vienna
- 1997 "MULTI LINGUAL CHAIR" --selected for the permanent collections of the Museum of Modern Art, New York and for the Centre Georges Pompidou, Paris.
- 1998 Member of the Jury of the Pro Finnish Design Competition, Helsinki. 13 of his works are selected for the permanent collections of the Museum of Modern Art, Saint-Etienne, France.
- 1999 Exhibition in Helsinki.
- 2001 Exhibition "L'anima del design" in Milan. Exhibition at the Museum für Kunst und Gewerbe in Hamburg, Germany. "LIQUID CRYSTAL DISPLAY TV" and "WINK" (chair) --selected for the permanent collection of the Centre Georges Pompidou, Paris.
- 2002 Exhibition at the show room Silvera in Paris. Exhibition and Lecture in the international Furniture Fair in China.
- 2003 Exhibition in Frankfurt, Barcelona, Milan and Verona. Exhibition in Milan.
- 2004 Lecture at Industrial Design Summit in China. Japan Good Design Award Chairperson. Inaugurated as the professor of the Osaka University of Arts (Chairman of Design Department)
- 2005 Exhibition "anima" in Amsterdam.
- 2006 Produced Exhibition "50th Japan GOOD DESIGN AWARD" in Milan.
- 2007 Exhibition "IL FUTURO DELLA TRADIZIONE" in Milan.
- 2008 Exhibition "Natura e Tecnologia" in Milan.
- 2009 Exhibition "KITA. FUTURA DELIGHT" in Milan. Exhibition "Timeless Future" in Shanghai, China. Produced "Japan Creative Centre" in Singapore. Produced International trade fair "Living& Design" in Osaka, Japan.
- 2010 Exhibition "Timeless Future" in Milan. Invited Exhibition in Foshan, China. Invited Exhibition in Guangzhou, China Produced International trade fair "Living& Design" in Osaka, Japan
- 2011 Exhibition "Kita's Collection" at MAISON&OBJET Awarded a prize carriera internazionale of Compasso d'Oro in July 2011 in Italy.